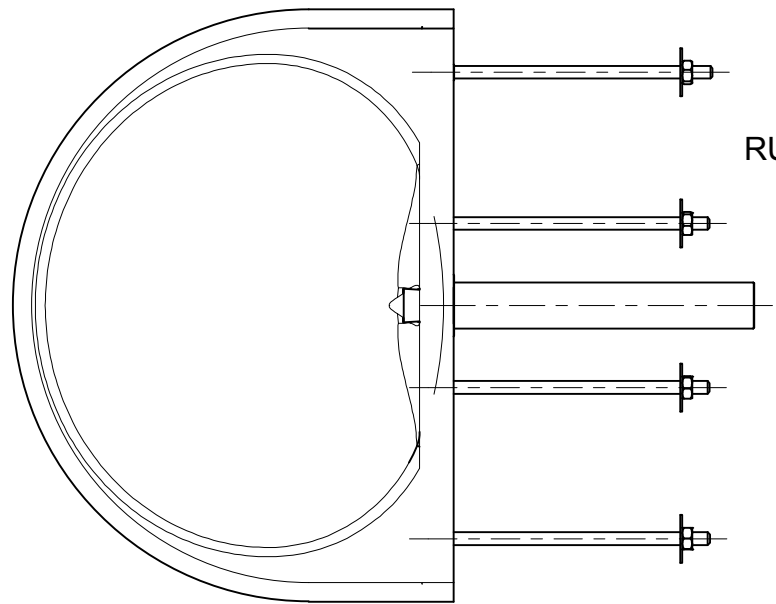
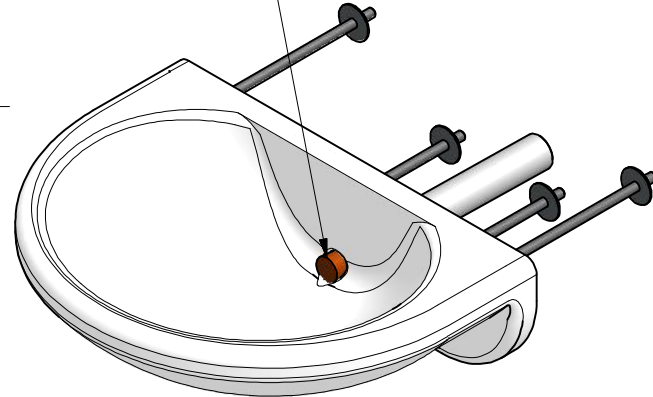


REVISION HISTORY				
REV	DATE	DESCRIPTION	BY	CHKD
1	27.05.2014	CREATED	PB	DB

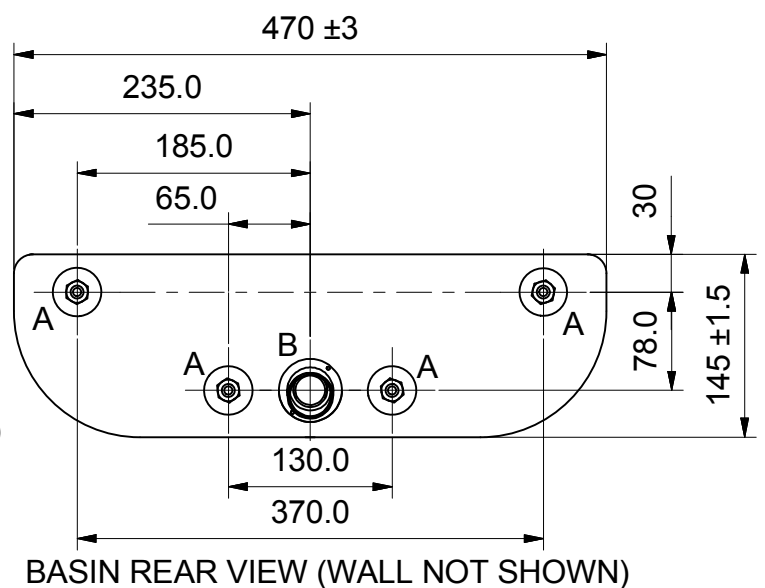
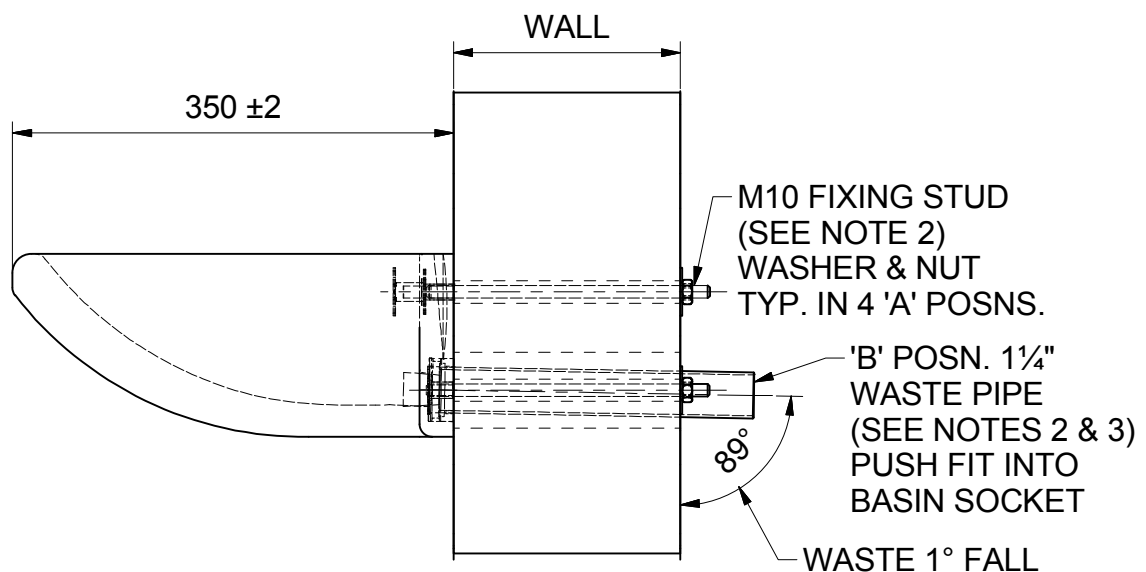


RUBBER WASTE BUNG



NOTES.

- HOLES THROUGH WALL:
 - M10 FIXING STUD, HOLE $\varnothing 17 \pm 2$.
 - 1 1/4" WASTE PIPE, HOLE $\varnothing 60$ MIN. $\varnothing 70$ MAX.
- OPTIONAL LENGTH THROUGH WALL ITEMS CAN BE SUPPLIED FOR VARIOUS THICKNESS WALLS.
- THE WASTE SHOULD BE CONNECTED TO A DEEP SEAL WASTE TRAP (NOT SUPPLIED).



BASIN REAR VIEW (WALL NOT SHOWN)

© 2013 Copyright THIS DRAWING IS THE PROPERTY OF WALLGATE LIMITED AND IS ISSUED ON THE STRICT UNDERSTANDING THAT THE INFORMATION CONTAINED WILL NOT BE REPRODUCED, COPIED OR USED WITHOUT PRIOR AGREEMENT OF WALLGATE LTD.

Wallgate

TITLE: INSTALLATION, WHB-100
HAND WASH BASIN
Drg No: INS-WHB-100
Model/Client/Project:

MATERIAL: _____
FINISH: _____

All dimensions in mm,
All angles 90° (unless stated)
Scale: NTS
A4 3rd